

---

---

**GARDNER DENVER®**

3-1-518  
4th Edition  
April, 1998

**GD 45T**

**2.5" STROKE**

**TRIPLEX PLUNGER PUMP**

**MODEL**

**TQW**

**DESIGN VERSION C**

**PARTS LIST**

**Gardner**  

---

**Denver**

## MAINTAIN PUMP RELIABILITY AND PERFORMANCE WITH GENUINE GARDNER DENVER PARTS AND SUPPORT SERVICES

Gardner Denver® and OPI® genuine pump parts are manufactured to original tolerances and designed for optimum dependability. Design and material innovations are the result of years of experience with hundreds of different pump applications. Reliability in materials and quality assurance are incorporated in our genuine replacement parts.

**Your authorized Gardner Denver and OPI distributor offers all the backup you'll need.** A worldwide network of authorized distributors provides the finest product support in the pump industry.

Your local authorized distributor maintains a large inventory of genuine parts and he is backed up for emergency

parts by direct access to the Gardner Denver Machinery Inc. Master Distribution Center (MDC) in Memphis, Tennessee.

Your authorized distributor can support your Gardner Denver and OPI pump needs with these services:

1. Trained parts specialists to assist you in selecting the correct replacement parts.
2. Repair and maintenance kits designed with the necessary parts to simplify servicing your pump.

Authorized distributor service technicians are factory-trained and skilled in pump maintenance and repair. They are ready to respond and assist you by providing fast, expert maintenance and repair services.

**For the location of your local authorized Gardner Denver and OPI distributor refer to the yellow pages of your phone directory or contact:**

Distribution Center:  
Gardner Denver Machinery Inc.  
Master Distribution Center  
5585 East Shelby Drive  
Memphis, TN 38141  
Phone: (901) 542-6100  
Fax: (901) 542-6159

Factory:  
Gardner Denver Machinery Inc.  
1800 Gardner Expressway  
Quincy, IL 62301  
Phone: (217) 222-5400  
Fax: (217) 224-7814

### INSTRUCTIONS FOR ORDERING REPAIR PARTS

When ordering parts, specify Pump MODEL and SERIAL NUMBER (see nameplate on unit). The Serial Number is also stamped on top of the cylinder end of the frame (cradle area).

**All orders for Parts should be placed with the nearest authorized distributor.**

Where NOT specified, quantity of parts required per pump or unit is one (1); where more than one is required

per unit, quantity is indicated in parenthesis. **SPECIFY EXACTLY THE NUMBER OF PARTS REQUIRED.**

**DO NOT ORDER BY SETS OR GROUPS.**

To determine the Right Hand and Left Hand side of a pump, stand at the power end and look toward the fluid end. Right Hand and Left Hand are indicated in parenthesis following the part name, i.e. (RH) & (LH), when appropriate.

**For Operating and Service Instructions see:**

**SERVICE MANUAL 3-1-614**

## TABLE OF CONTENTS

	Page
Maintain Pump Reliability and Performance With Genuine Gardner Denver Parts and Support Services .....	1
Instructions For Ordering Repair Parts .....	1
Model TQW – Design Version C – Option Menu .....	3
Power End .....	4, 5
Low Pressure Cast Aluminum Bronze & Cast Nodular Iron Fluid Cylinders (General Service) .....	6
Low Pressure Block Steel Fluid Cylinder (Hydrocarbon Service) .....	7
High Pressure Block Aluminum Bronze Fluid Cylinder (General Service) .....	8
Stuffing Box, Plunger & 838 Style Packing Low Pressure Cast Aluminum Bronze Fluid Cylinder (General Service) .....	9
Stuffing Box, Plunger & 838 Style Packing Low Pressure Cast Nodular Iron Fluid Cylinder (General Service) . . . .	10
Stuffing Box, Plunger & 242 Style Packing Low Pressure Cast Aluminum Bronze Fluid Cylinder (General Service) .....	11
Stuffing Box, Plunger & 838 Style Packing Low Pressure Block Steel Fluid Cylinder (Hydrocarbon Service) . . . .	12
Stuffing Box, Plunger & 838 Style Packing Low Pressure Block Steel Fluid Cylinder (With Nodular Iron Parts) (Hydrocarbon Service) .....	13
Stuffing Box, Plunger & 838 Style Packing High Pressure Block Aluminum Bronze Fluid Cylinder (General Service) .....	14
Stuffing Box, Plunger & 242 Style Packing High Pressure Block Aluminum Bronze Fluid Cylinder (General Service) .....	15
Delrin Disc Valves Low Pressure Cast Aluminum Bronze, Cast Nodular Iron And Block Steel Fluid Cylinders . . . .	16
Delrin Disc Valves High Pressure Block Aluminum Bronze Fluid Cylinder .....	17
Wing Guided Valve – Aluminum Bronze Without Insert – Low Pressure Cast Aluminum Bronze & Cast Nodular Iron Fluid Cylinders .....	18
Stem Guided Valve – Without Insert High Pressure Block Aluminum Bronze Fluid Cylinder .....	19
Wing Guided Valve – Stainless Steel Severe Duty – Without Insert High Pressure Block Aluminum Bronze Fluid Cylinder .....	20
Lubricator & Drive Assembly (Optional Equipment) .....	21
Optional Equipment .....	22
Valve Seat Puller – Delrin Disc Type – Low Pressure Cast Aluminum Bronze, Cast Nodular Iron & Block Steel Fluid Cylinders .....	22
Valve Seat Puller – Delrin Disc Type High Pressure Block Aluminum Bronze Cylinder .....	22
Valve Seat Puller – Wing Guided Type And Severe Duty (AR) Type Low Pressure Cast Aluminum Bronze & Nodular Iron Fluid Cylinders .....	22
Optional Equipment (Continued) .....	23
Valve Seat Puller – Wing Guided Type And Severe Duty (AR) Type High Pressure Block Aluminum Bronze Fluid Cylinder .....	23
Gardner Denver Unit Record .....	Inside Back Cover

**MODEL TQW – DESIGN VERSION C  
OPTION MENU**

**TYPE OF SERVICE AND FLUID CYLINDER**

- General Service – Low Pressure Cast Aluminum Bronze/Nodular Iron Cylinders ..... Page 6
- Hydrocarbon Service – Low Pressure Block Steel Cylinder ..... Page 7
- General Service – High Pressure Block Aluminum Bronze Cylinder ..... Page 8

**PLUNGER AND PACKING SIZES AND STYLES**

- 2-3/4" – 1-1/2" with 838 Style Non-Adjustable Packing for use with Low Pressure Cast Aluminum Bronze Cylinder ..... Page 9
- 2-3/4" – 1-3/4" with 838 Style Non-Adjustable Packing for use with Low Pressure Cast Nodular Iron Cylinder ..... Page 10
- 2-3/4" – 1-1/2" with 242 Style Rubber Spring Loaded Packing for use with Low Pressure Cast Aluminum Bronze Cylinder ..... Page 11
- 2-3/4" – 1-3/4" with 242 Style Rubber Spring Loaded Packing for use with Low Pressure Block Steel Cylinder ..... Page 12
- 2-3/4" – 1-3/4" with 838 Style Non-Adjustable Packing for use with Low Pressure Block Steel Cylinder with Nodular Iron Parts ..... Page 13
- 1-1/2" – 1" with 838 Style Non-Adjustable Packing for use with High Pressure Block Aluminum Bronze Cylinder ..... Page 14
- 1-1/2" – 1" with 242 Style Rubber Spring Loaded Packing for use with High Pressure Block Aluminum Bronze Cylinder ..... Page 15

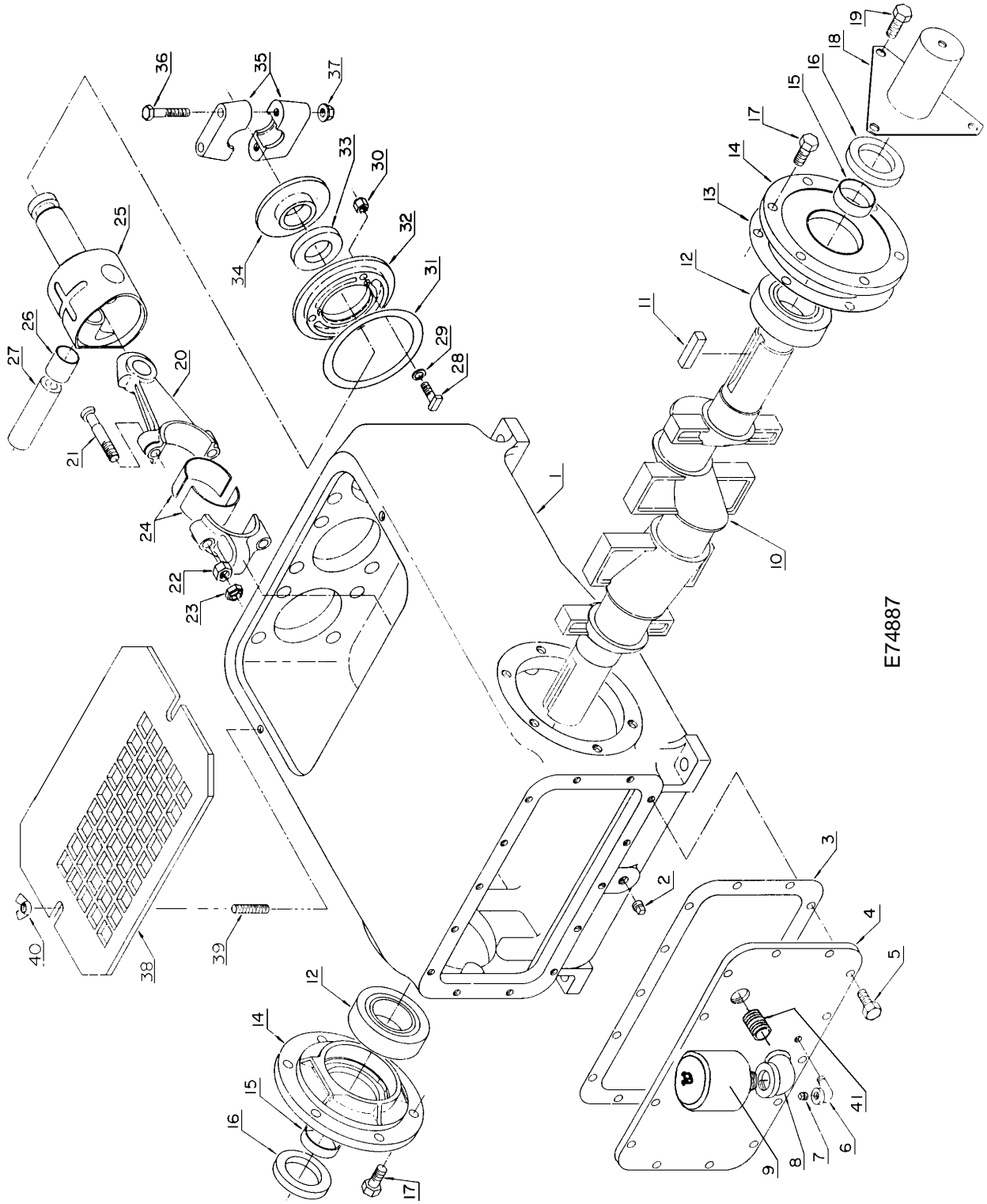
**FLUID VALVE SELECTIVE**

- **Low Pressure Cast Aluminum Bronze/Nodular Iron Cylinder**
  - Delrin Disc Valve offered in Aluminum Bronze, Stainless Steel and Monel ..... Page 16
  - Wing Guided Valve – Aluminum Bronze Without Insert ..... Page 18
- **Low Pressure Block Steel Cylinder**
  - Delrin Disc Valve offered in Stainless Steel and Monel ..... Page 16
- **High Pressure Block Aluminum Bronze Cylinder**
  - Delrin Disc Valve offered in Aluminum Bronze, Stainless Steel and Monel ..... Page 17
  - Stem Guided Valve – Aluminum Bronze Without Insert ..... Page 19
  - Wing Guided Valve – Stainless Steel Without Insert ..... Page 20

**OPTIONAL LUBRICATOR** ..... Page 21

**OPTIONAL VALVE SEAT PULLER** ..... Page 22

POWER END



E74887

Order by Part Number and Description. Reference Numbers are for your convenience only.

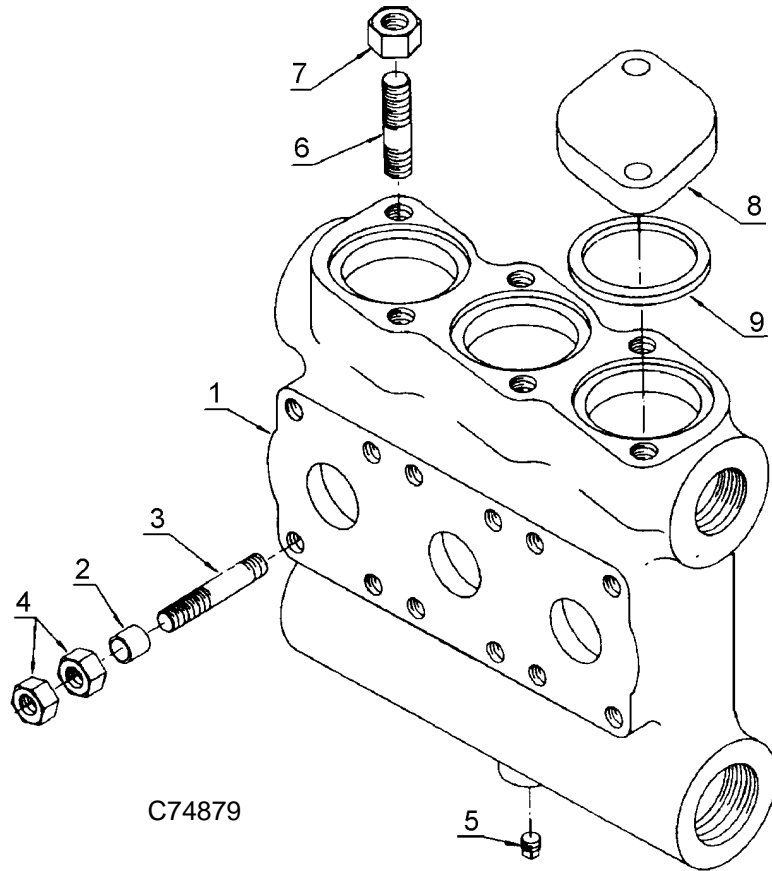
POWER END

Ref. No.	Name of Part	Qty.	Part No.	Ref. No.	Name of Part	Qty.	Part No.
1	FRAME, Includes Ref. Number 2 . . . . .	1	200TQW001	23	LOCKNUT, Connecting Rod Bolt . . . . .	6	50M11
2	PLUG, Oil Drain . . . . .	1	64AA7	24	BEARING, Connecting Rod . . . . .	6	200TQW174
3	GASKET, Inspection Plate . . . . .	1	25C2266	25	CROSSHEAD, Includes Ref. No. 26 . .	3	1PS175
4	PLATE-INSPECTION . . . . .	1	2005961	26	BUSHING, Crosshead . . . . .	6	12F25
5	SCREW, Inspection Plate . . . . .	14	655ED030	27	PIN, Crosshead . . . . .	3	62F70
6	ELBOW, Oil Level . . . . .	1	64D2				
7	PLUG, Oil Level . . . . .	1	64AA5	28	SCREW, Oil Stop Head . . . . .	9	PQ1333
8	ELBOW . . . . .	2	64C6	29	GASKET, Oil Stop Head Screw . . . . .	9	25A5N
9	BREATHER . . . . .	1	200VQC034	30	LOCKNUT, Oil Stop Head Screw . . . . .	9	50V48
10	CRANKSHAFT . . . . .	1	200TQW004	31	GASKET, Oil Stop Head . . . . .	3	25C2270
11	KEY, Crankshaft . . . . .	1	35B243	32	OIL STOP HEAD . . . . .	3	PS226
12	BEARING, Crankshaft . . . . .	2	12C78	33	OIL SEAL, Push Rod . . . . .	3	60G185
13	SHIM, Bearing Housing . . . . .	1	77G19	34	BAFFLE . . . . .	3	200TQC840
14	BEARING HOUSING . . . . .	2	PS366				
15	WEAR SLEEVE . . . . .	2	80L6	35	PLUNGER COUPLING, Includes		
16	OIL SEAL, Bearing Housing . . . . .	2	60G251		Reference Numbers 36 & 37 . . . . .	3	200TQC092A
17	SCREW, Bearing Housing . . . . .	9	655EF050	36	SCREW, Plunger Coupling . . . . .	6	655ED14S
18 *	COVER-SHAFT EXTENSION . . . . .	1	PS850	37	NUT, Flanged . . . . .	6	50AW5
19	SCREW, Shaft Extension Cover . . . . .	3	655EF060				
20	CONNECTING ROD, Includes			38**	INSPECTION PLATE . . . . .	1	300TQW052
	Reference Numbers 21 & 22 . . . . .	3	200TQW003	39	STUD, Inspection Plate . . . . .	2	79A466
21	BOLT-CONNECTING ROD . . . . .	6	2005962	40	WING NUT, Inspection Plate Stud . . . . .	2	50H1
22	NUT, Connecting Rod Bolt . . . . .	6	50AQ26	41	NIPPLE . . . . .	1	63H3

\* Shaft Extension Cover is not required when Lubricator is furnished.

\*\* Not required when Optional Lubricator is furnished. Refer to page 22.

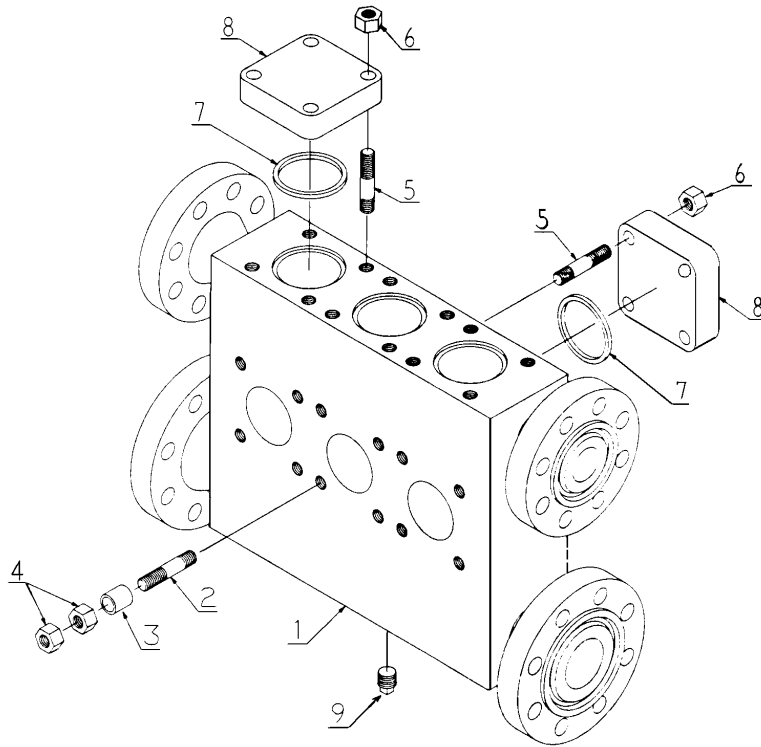
Order by Part Number and Description. Reference Numbers are for your convenience only.



**LOW PRESSURE CAST ALUMINUM BRONZE &  
CAST NODULAR IRON FLUID CYLINDERS  
(GENERAL SERVICE)**

Ref. No.	Name of Part	Qty.	Aluminum Bronze Part No.	Nodular Iron Part No.
1	CYLINDER-FLUID, Includes Ref. Numbers 3, 5 & 6	1	203TQW029	204TQW029
2	SPACER, Steel	2	80C43	80C43
3	STUD, Cylinder to Frame & Stuffing Box	12	79AK6	79AK6
4	NUT, Frame & Stuffing Box Stud	24	50B31	50B31
5	PLUG, Drain	1	64AJ17	64AA7
6	STUD, Cylinder to Valve Cover	6	79L3	79L3
7	NUT, Cylinder to Valve Cover Stud	6	50B8	50B8
8	COVER-VALVE	3	2005748	200PQB147
9	GASKET, Valve Cover	3	25AL53	25AL53

Order by Part Number and Description. Reference Numbers are for your convenience only.



**LOW PRESSURE BLOCK STEEL FLUID CYLINDER  
(HYDROCARBON SERVICE)**

Ref. No.	Name of Part	Qty.	Part No.
1	CYLINDER-FLUID, Includes Reference Numbers 2, 5 & 9 .....	1	201TQW029
2	STUD, Cylinder to Frame & Stuffing Box .....	12	79AK6
3	SPACER, Steel .....	2	80C43
4	NUT, Frame & Stuffing Box Stud .....	24	50B31
5	STUD, Cylinder to Valve Cover .....	12	K6396A2
6	NUT, Cylinder to Valve Cover Stud .....	12	50B8
7	GASKET, Valve Cover .....	6	25AL53
8	COVER-VALVE .....	6	201TQB147
9	PLUG, Drain .....	3	64AA7

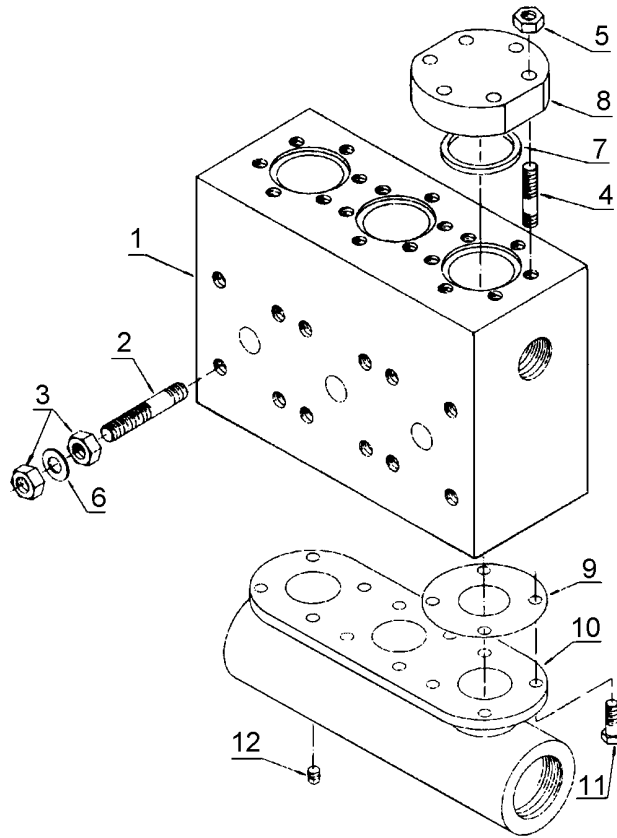
**OPTIONAL EQUIPMENT**

*	FLANGE-SUCTION .....	2	64EB379
*	CAPSCREW .....	16	143995
*	NUT .....	16	50B9
*	GASKET .....	2	25V14
*	FLANGE-DISCHARGE .....	2	142531
*	CAPSCREW .....	16	143995
*	NUT .....	16	50B9
*	GASKET .....	2	25V9

\* Not shown.



Order by Part Number and Description. Reference Numbers are for your convenience only.

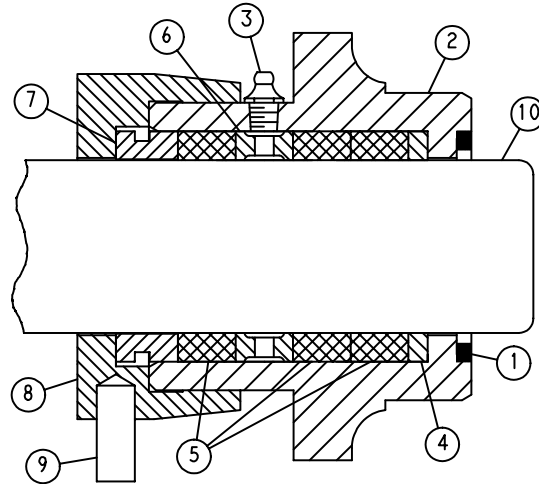


D74886

**HIGH PRESSURE BLOCK ALUMINUM BRONZE FLUID CYLINDER  
(GENERAL SERVICE)**

Ref. No.	Name of Part	Qty.	Part No.
1	CYLINDER-FLUID, Includes Reference Numbers 2 thru 6 .....	1	2PS29B
2	STUD, Cylinder to Frame & Stuffing Box .....	12	79AK7
3	NUT, Frame & Stuffing Box Stud .....	24	50B32
4	STUD, Valve Cover .....	18	79L18
5	NUT, Valve Cover Stud .....	18	50B7
6	WASHER, Frame & Stuffing Box Stud .....	12	95U8
7	GASKET, Valve Cover .....	3	25AL39
8	COVER-VALVE .....	3	1PS147
9	GASKET, Suction Manifold to Cylinder .....	3	25C1466
10	MANIFOLD-SUCTION .....	1	PS110
11	SCREW, Suction Manifold to Cylinder .....	12	655EE040
12	PLUG, Drain .....	3	64AJ6

Order by Part Number and Description. Reference Numbers are for your convenience only.



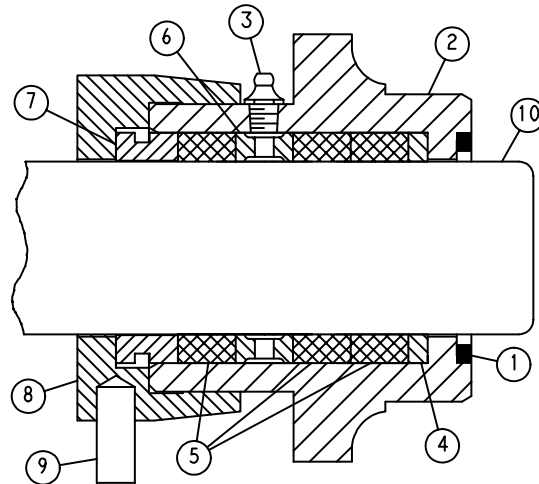
200TQB810-A  
(Ref. Drawing)

**STUFFING BOX, PLUNGER & 838 STYLE PACKING  
LOW PRESSURE CAST ALUMINUM BRONZE FLUID CYLINDER  
(GENERAL SERVICE)**

Ref. No.	Name of Part	Qty.	2-3/4" Part No.	2-1/2" Part No.	2-1/4" Part No.
1	GASKET .....	3	25AL60	25AL60	25AL60
2	STUFFING BOX, Includes Ref. No. 3 .....	3	PW1427	PW1427	PW1422
3	LUBE FITTING .....	3	40E7	40E7	40E7
	PACKING ASSEMBLY, Incl. Ref. No. 4 thru 7	3	PS160027	PS160025	PS160022
4	JUNK RING .....	3	PS31727	PS31725	PQ31722
5	PACKING (838 Style) .....	3	60BU100	60BU101	60BU29
6	LANTERN SPACER .....	3	PS44527	PS44525	PQ44522
7	BUSHING .....	3	PS15227	PS15225	PS15222
8	GLAND .....	3	PS113	PS113	PS113
9	PIN .....	3	62L45	62L45	62L45
10	PLUNGER (Colmonoy) .....	3	1PT3827	1PT3825	1PT3822
10	PLUNGER (Ceramic) .....	3	PT3827	PT3825	PT3822
10	PLUNGER (Tungsten Carbide) .....	3	201TQW038	202TQW038	203TQW038

Ref. No.	Name of Part	Qty.	2" Part No.	1-3/4" Part No.	1-1/2" Part No.
1	GASKET .....	3	25AL60	25AL60	25AL60
2	STUFFING BOX, Includes Ref. No. 3 .....	3	PW1422	PW1417	PW1417
3	LUBE FITTING .....	3	40E7	40E7	40E7
	PACKING ASSEMBLY, Incl. Ref. No. 4 thru 7	3	PS160020	PS160017	PS160015
4	JUNK RING .....	3	PQ31720	PQ31717	PQ31715
5	PACKING (838 Style) .....	3	60BU97	60BU31	60BU98
6	LANTERN SPACER .....	3	PQ44520	PQ44517	PQ44515
7	BUSHING .....	3	PS15220	PS15217	PS15215
8	GLAND .....	3	PS113	PS113	PS113
9	PIN .....	3	62L45	62L45	62L45
10	PLUNGER (Colmonoy) .....	3	1PT3820	1PT3817	1PT3815
10	PLUNGER (Ceramic) .....	3	PT3820	PT3817	PT3815
10	PLUNGER (Tungsten Carbide) .....	3	204TQW038	205TQW038	206TQW038

Order by Part Number and Description. Reference Numbers are for your convenience only.



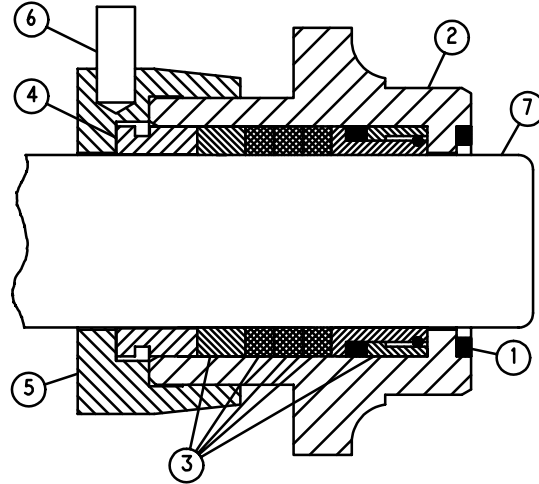
200TQB810-A  
(Ref. Drawing)

**STUFFING BOX, PLUNGER & 838 STYLE PACKING  
LOW PRESSURE CAST NODULAR IRON FLUID CYLINDER  
(GENERAL SERVICE)**

Ref. No.	Name of Part	Qty.	2-3/4" Part No.	2-1/2" Part No.	2-1/4" Part No.
1	GASKET .....	3	25AL39	25AL39	25AL39
2	STUFFING BOX, Includes Ref. Number 3 ..	3	1PS1427	1PS1427	1PS1422
3	LUBE FITTING .....	3	40E7	40E7	40E7
	PACKING ASSEMBLY, Incl. Ref. No. 4 thru 7	3	200PSW224	201PSW224	202PS224
4	JUNK RING .....	3	200PSW317	201PSW317	205PQW317
5	PACKING (838 Style) .....	3	60BU100	60BU101	60BU29
6	LANTERN SPACER .....	3	200PSW445	201PSW445	204PQB445
7	BUSHING .....	3	200PSW152	201PSW152	202PSW152
8	GLAND .....	3	1PS113	1PS113	1PS113
9	PIN .....	3	62L45	62L45	62L45
10	PLUNGER (Colmonoy) .....	3	1PT3827	1PT3825	1PT3822
10	PLUNGER (Ceramic) .....	3	PT3827	PT3825	PT3822
10	PLUNGER (Tungsten Carbide) .....	3	201TQW038	202TQW038	203TQW038

Ref. No.	Name of Part	Qty.	2" Part No.	1-3/4" Part No.
1	GASKET .....	3	25AL39	25AL39
2	STUFFING BOX, Includes Ref. Number 3 ..	3	1PS1422	1PS1417
3	LUBE FITTING .....	3	40E7	40E7
	PACKING ASSEMBLY, Incl. Ref. No. 4 thru 7	3	203PSW224	204PSW224
4	JUNK RING .....	3	204PQB317	203PQB317
5	PACKING (838 Style) .....	3	60BU97	60BU31
6	LANTERN SPACER .....	3	205PQB445	203PQB445
7	BUSHING .....	3	203PSW152	204PSW152
8	GLAND .....	3	1PS113	1PS113
9	PIN .....	3	62L45	62L45
10	PLUNGER (Colmonoy) .....	3	1PT3820	1PT3817
10	PLUNGER (Ceramic) .....	3	PT3820	PT3817
10	PLUNGER (Tungsten Carbide) .....	3	204TQW038	205TQW038

Order by Part Number and Description. Reference Numbers are for your convenience only.



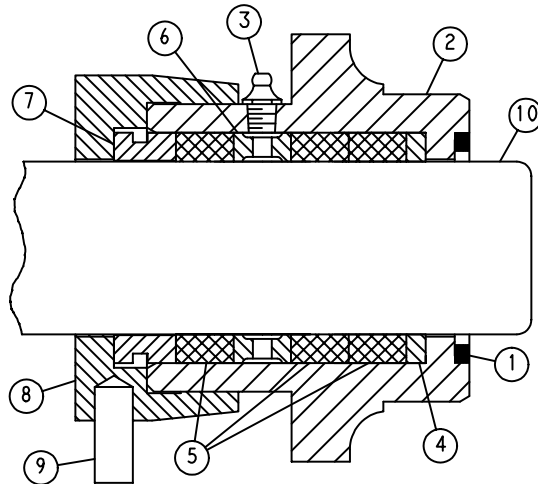
300TQB810-A  
(Ref. Drawing)

**STUFFING BOX, PLUNGER & 242 STYLE PACKING  
LOW PRESSURE CAST ALUMINUM BRONZE FLUID CYLINDER  
(GENERAL SERVICE)**

Ref. No.	Name of Part	Qty.	2-3/4" Part No.	2-1/2" Part No.	2-1/4" Part No.
1	GASKET .....	3	25AL60	25AL60	25AL60
2	STUFFING BOX .....	3	209TQC014	209TQC014	210TQC014
	PACKING ASSEMBLY, Incl. Ref. Nos. 3 & 4 .	3	300TQW4060	301TQW4060	302TQW4060
3	PACKING (242 Style) .....	3	60DD670	60DD642	60DD697
4	BUSHING .....	3	PS15227	PS15225	PS15222
5	GLAND .....	3	PS113	PS113	PS113
6	PIN .....	3	62L45	62L45	62L45
7	PLUNGER (Colmonoy) .....	3	1PT3827	1PT3825	1PT3822
7	PLUNGER (Ceramic) .....	3	PT3827	PT3825	PT3822
7	PLUNGER (Tungsten Carbide) .....	3	201TQW038	202TQW038	203TQW038

Ref. No.	Name of Part	Qty.	2" Part No.	1-3/4" Part No.	1-1/2" Part No.
1	GASKET .....	3	25AL60	25AL60	25AL60
2	STUFFING BOX .....	3	210TQC014	211TQC014	211TQC014
	PACKING ASSEMBLY, Incl. Ref. Nos. 3 & 4 .	3	303TQW4060	304TQW4060	305TQW4060
3	PACKING (242 Style) .....	3	60DD672	60DD673	60DD671
4	BUSHING .....	3	PS15220	PS15215	PS15215
5	GLAND .....	3	PS113	PS113	PS113
6	PIN .....	3	62L45	62L45	62L45
7	PLUNGER (Colmonoy) .....	3	1PT3820	1PT3815	1PT3815
7	PLUNGER (Ceramic) .....	3	PT3820	PT3815	PT3815
7	PLUNGER (Tungsten Carbide) .....	3	204TQW038	206TQW038	206TQW038

Order by Part Number and Description. Reference Numbers are for your convenience only.



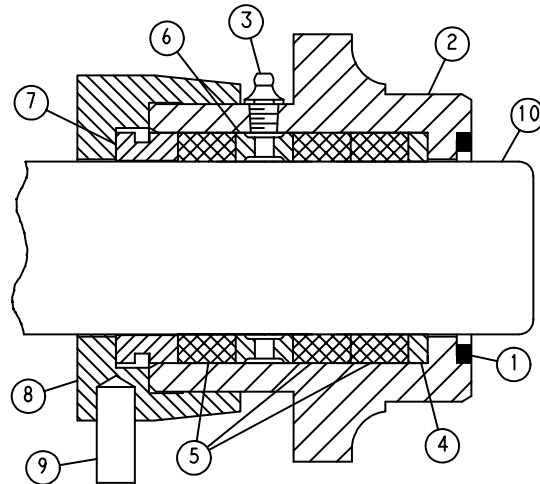
200TQB810-A  
(Ref. Drawing)

**STUFFING BOX, PLUNGER & 838 STYLE PACKING  
LOW PRESSURE BLOCK STEEL FLUID CYLINDER  
(HYDROCARBON SERVICE)**

Ref. No.	Name of Part	Qty.	2-3/4" Part No.	2-1/2" Part No.	2-1/4" Part No.
1	GASKET .....	3	25AL60	25AL60	25AL60
2	STUFFING BOX, Includes Ref. Number 3 ..	3	201TQC014	201TQC014	202TQC014
3	LUBE FITTING .....	3	40E7	40E7	40E7
	PACKING ASSEMBLY, Incl. Ref. No. 4 thru 7	3	PS160027	PS160025	PS160022
4	JUNK RING .....	3	PS31727	PS31725	PQ31722
5	PACKING (838 Style) .....	3	60BU100	60BU101	60BU29
6	LANTERN SPACER .....	3	PS44527	PS44525	PQ44522
7	BUSHING .....	3	PS15227	PS15225	PS15222
8	GLAND .....	3	200TQC008	200TQC008	200TQC008
9	PIN .....	3	62L45	62L45	62L45
10	PLUNGER (Colmonoy) .....	3	1PT3827	1PT3825	1PT3822
10	PLUNGER (Ceramic) .....	3	PT3827	PT3825	PT3822
10	PLUNGER (Tungsten Carbide) .....	3	201TQW038	202TQW038	203TQW038

Ref. No.	Name of Part	Qty.	2" Part No.	1-3/4" Part No.
1	GASKET .....	3	25AL60	25AL60
2	STUFFING BOX, Includes Ref. Number 3 ..	3	202TQC014	203TQC014
3	LUBE FITTING .....	3	40E7	40E7
	PACKING ASSEMBLY, Incl. Ref. No. 4 thru 7	3	PS160020	PS160017
4	JUNK RING .....	3	PQ31720	PQ31717
5	PACKING (838 Style) .....	3	60BU97	60BU31
6	LANTERN SPACER .....	3	PQ44520	PQ44517
7	BUSHING .....	3	PS15220	PS15217
8	GLAND .....	3	200TQC008	200TQC008
9	PIN .....	3	62L45	62L45
10	PLUNGER (Colmonoy) .....	3	1PT3820	1PT3817
10	PLUNGER (Ceramic) .....	3	PT3820	PT3817
10	PLUNGER (Tungsten Carbide) .....	3	204TQW038	205TQW038

Order by Part Number and Description. Reference Numbers are for your convenience only.



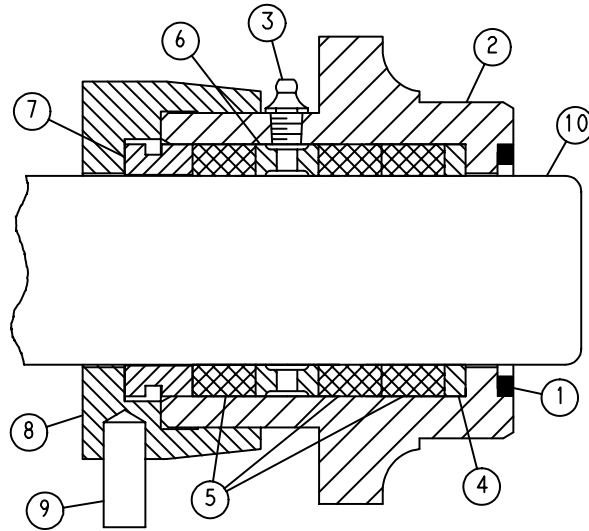
200TQB810-A  
(Ref. Drawing)

**STUFFING BOX, PLUNGER & 838 STYLE PACKING  
LOW PRESSURE BLOCK STEEL FLUID CYLINDER (WITH NODULAR IRON PARTS)  
(HYDROCARBON SERVICE)**

Ref. No.	Name of Part	Qty.	2-3/4" Part No.	2-1/2" Part No.	2-1/4" Part No.
1	GASKET .....	3	25AL60	25AL60	25AL60
2	STUFFING BOX, Includes Ref. Number 3 ..	3	201TQC014	201TQC014	202TQC014
3	LUBE FITTING .....	3	40E7	40E7	40E7
	PACKING ASSEMBLY, Incl. Ref. No. 4 thru 7	3	200PSW224	201PSW224	202PSW224
4	JUNK RING .....	3	200PSW317	201PSW317	205PQB317
5	PACKING (838 Style) .....	3	60BU100	60BU101	60BU29
6	LANTERN SPACER .....	3	200PSW445	201PSW445	204PQB445
7	BUSHING .....	3	200PSW152	201PSW152	202PSW152
8	GLAND .....	3	200TQC008	200TQC008	200TQC008
9	PIN .....	3	62L45	62L45	62L45
10	PLUNGER (Colmonoy) .....	3	1PT3827	1PT3825	1PT3822
10	PLUNGER (Ceramic) .....	3	PT3827	PT3825	PT3822
10	PLUNGER (Tungsten Carbide) .....	3	201TQW038	202TQW038	203TQW038

Ref. No.	Name of Part	Qty.	2" Part No.	1-3/4" Part No.
1	GASKET .....	3	25AL60	25AL60
2	STUFFING BOX, Includes Ref. Number 3 ..	3	202TQC014	203TQC014
3	LUBE FITTING .....	3	40E7	40E7
	PACKING ASSEMBLY, Incl. Ref. No. 4 thru 7	3	203PSW224	204PSW224
4	JUNK RING .....	3	204PQB317	203PQB317
5	PACKING (838 Style) .....	3	60BU97	60BU31
6	LANTERN SPACER .....	3	205PQB445	203PQB445
7	BUSHING .....	3	203PSW152	204PSW152
8	GLAND .....	3	200TQC008	200TQC008
9	PIN .....	3	62L45	62L45
10	PLUNGER (Colmonoy) .....	3	1PT3820	1PT3817
10	PLUNGER (Ceramic) .....	3	PT3820	PT3817
10	PLUNGER (Tungsten Carbide) .....	3	204TQW038	205TQW038

Order by Part Number and Description. Reference Numbers are for your convenience only.

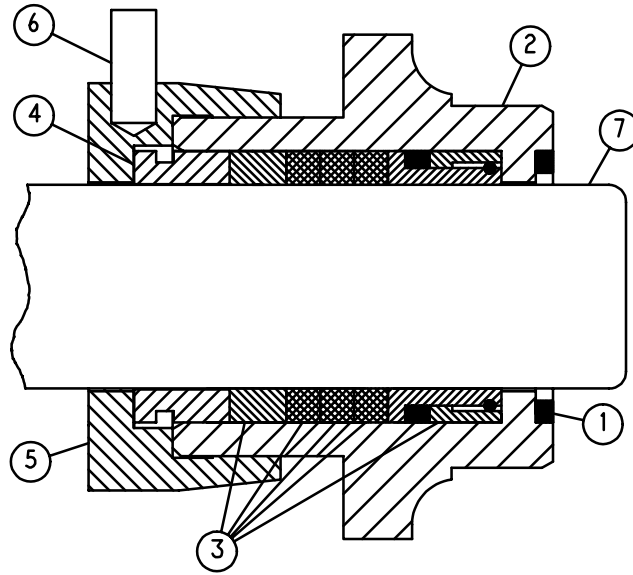


200TQB810-A  
(Ref. Drawing)

**STUFFING BOX, PLUNGER & 838 STYLE PACKING  
HIGH PRESSURE BLOCK ALUMINUM BRONZE FLUID CYLINDER  
(GENERAL SERVICE)**

Ref. No.	Name of Part	Qty.	1-1/2" Part No.	1-1/4" Part No.	1" Part No.
1	GASKET .....	3	25AL59	25AL59	25AL59
2	STUFFING BOX, Includes Ref. Number 3 ..	3	2PS1417	2PS1412	2PS1412
3	LUBE FITTING .....	3	40E7	40E7	40E7
	PACKING ASSEMBLY, Includes Reference Numbers 5 thru 7 .....	3	PQ160015	PQ160012	PQ160010
4	JUNK RING .....	3	PQ31715	PQ31712	PQ31710
5	PACKING (838 Style) .....	3	60BU98	60BU33	60BU99
6	LANTERN SPACER .....	3	PQ44515	PQ44512	PQ44510
7	BUSHING .....	3	PQ15215	PQ15212	PQ15210
8	GLAND .....	3	PQ113	PQ113	PQ113
9	PIN .....	3	62L45	62L45	62L45
10	PLUNGER (Colmonoy) .....	3	1PT3815	1PT3812	1PT3810
10	PLUNGER (Ceramic) .....	3	PT3815	PT3812	PT3810
10	PLUNGER (Tungsten Carbide) .....	3	206TQW038	207TQW038	208TQW038

Order by Part Number and Description. Reference Numbers are for your convenience only.



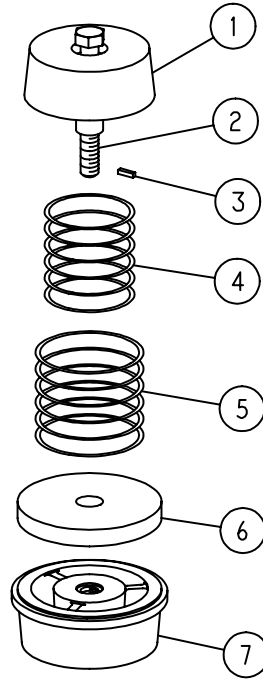
300TQB810-A  
(Ref. Drawing)

**STUFFING BOX, PLUNGER & 242 STYLE PACKING  
HIGH PRESSURE BLOCK ALUMINUM BRONZE FLUID CYLINDER  
(GENERAL SERVICE)**

Ref. No.	Name of Part	Qty.	1-1/2" Part No.	1-1/4" Part No.	1" Part No.
1	GASKET .....	3	25AL59	25AL59	25AL59
2	STUFFING BOX .....	3	300TQW014	203TQW014	203TQW014
	PACKING ASSEMBLY, Includes Reference Numbers 3 & 4 .....	3	306TQW4060	200TQW4060	307TQW4060
3	PACKING (242 Style) .....	3	60DD671	60DD669	60DD675
4	BUSHING .....	3	PQ15215	PQ15212	PQ15210
5	GLAND .....	3	PQ113	PQ113	PQ113
6	PIN .....	3	62L45	62L45	62L45
7	PLUNGER (Colmonoy) .....	3	1PT3815	1PT3812	1PT3810
7	PLUNGER (Ceramic) .....	3	PT3815	PT3812	PT3810
7	PLUNGER (Tungsten Carbide) .....	3	206TQW038	207TQW038	208TQW038



Order by Part Number and Description. Reference Numbers are for your convenience only.



**310TEE810**  
(Ref. Drawing)

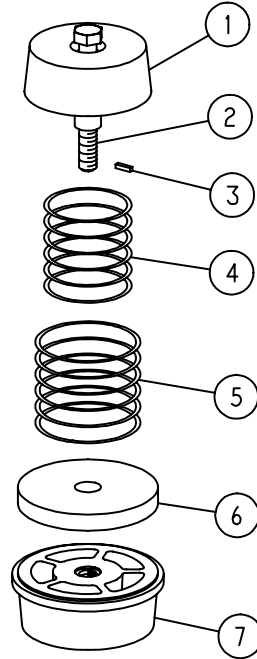
**DELRIN DISC VALVES LOW PRESSURE CAST ALUMINUM BRONZE,  
CAST NODULAR IRON AND BLOCK STEEL FLUID CYLINDERS**

Ref. No.	Name of Part	Qty.	Aluminum Bronze Part No.	Stainless Steel Part No.	Monel Part No.
<b>SUCTION VALVE</b>					
	FLUID VALVE ASSEMBLY, Incl. Ref. No. 1 thru 7	3	200VLE482	221VLE482 *	202VLE482 *
1	RETAINER .....	3	2010588	2010828	2010590
2	FASTENER .....	3	2010599	2010599	2010599
3	THREAD LOCK PLUG .....	3	2010603	2010603	2010603
4	SPRING (Inner) .....	3	2010606	2010606	2010606
5	SPRING (Outer) .....	3	2116348	2116348	2116348
6	PLATE-VALVE .....	3	2010613	2010613	2010613
7	SEAT-VALVE .....	3	2010632	2010633	2010634
<b>DISCHARGE VALVE</b>					
	FLUID VALVE ASSEMBLY, Incl. Ref. No. 1 thru 7	3	210VLG482	211VLG482 *	212VLG482 *
1	RETAINER .....	3	2010588	2010828	2010590
2	FASTENER .....	3	2010599	2010599	2010599
3	THREAD LOCK PLUG .....	3	2010603	2010603	2010603
4	SPRING (Inner) .....	3	2010606	2010606	2010606
5	SPRING (Outer) .....	3	2116348	2116348	2116348
6	PLATE-VALVE .....	3	2010613	2010613	2010613
7	SEAT-VALVE .....	3	2109451	2109452	2109453

\* For Low Pressure Block Steel Fluid Cylinder use this valve for both Suction and Discharge. The required quantity is (6) per pump.

For Optional Valve Seat Puller refer to page 23.

Order by Part Number and Description. Reference Numbers are for your convenience only.



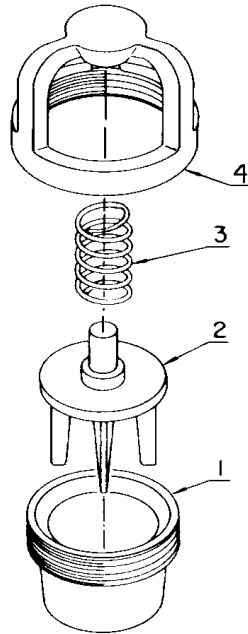
311TEE810  
(Ref. Drawing)

**DELTRIN DISC VALVES  
HIGH PRESSURE BLOCK ALUMINUM BRONZE FLUID CYLINDER**

Ref. No.	Name of Part	Qty.	Aluminum Bronze Part No.	Stainless Steel Part No.	Monel Part No.
<b>SUCTION VALVE</b>					
	FLUID VALVE ASSEMBLY, Incl. Ref. No. 1 thru 7	3	200VHA482	201VHA482	202VHA482
1	RETAINER .....	3	2010594	2010595	2010596
2	FASTENER .....	3	2010600	2010600	2010600
3	THREAD LOCK PLUG .....	3	2010603	2010603	2010603
4	SPRING (Inner) .....	3	2010606	2010606	2010606
6	PLATE-VALVE .....	3	2010616	2010616	2010616
7	SEAT-VALVE .....	3	2010659	2010660	2010661
<b>DISCHARGE VALVE</b>					
	FLUID VALVE ASSEMBLY, Incl. Ref. No. 1 thru 7	3	200VHC482	201VHC482	202VHC482
1	RETAINER .....	3	2010591	2010592	2010593
2	FASTENER .....	3	2010600	2010600	2010600
3	THREAD LOCK PLUG .....	3	2010603	2010603	2010603
4	SPRING (Inner) .....	3	2010606	2010606	2010606
5	SPRING (Outer) .....	3	2116348	2116348	2116348
6	PLATE-VALVE .....	3	2010829	2010829	2010829
7	SEAT-VALVE .....	3	2010653	2010654	2010655

For Optional Valve Seat Puller refer to page 23.

Order by Part Number and Description. Reference Numbers are for your convenience only.



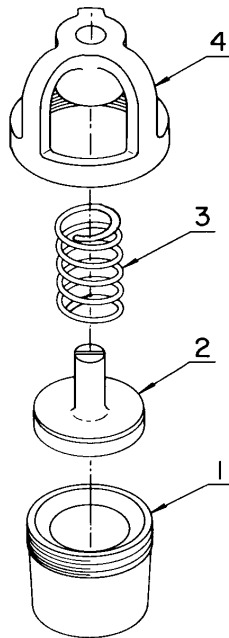
B74875

**WING GUIDED VALVE – ALUMINUM BRONZE WITHOUT INSERT – LOW PRESSURE  
CAST ALUMINUM BRONZE & CAST NODULAR IRON FLUID CYLINDERS**

Ref. No.	Name of Part	Qty.	Part No.
<b>SUCTION</b>			
	FLUID VALVE ASSEMBLY, Includes Reference Numbers 1 thru 4 . . . . .	3	208VWE482A
1	SEAT-VALVE . . . . .	3	200VWE039
2	VALVE-FLUID . . . . .	3	3PG206
3	SPRING . . . . .	3	78H24
4	CAGE-VALVE . . . . .	3	200VWC054
<b>DISCHARGE</b>			
	FLUID VALVE ASSEMBLY, Includes Reference Numbers 1 thru 4 . . . . .	3	208VWG482A
1	SEAT-VALVE . . . . .	3	200VWG039
2	VALVE-FLUID . . . . .	3	PT206
3	SPRING . . . . .	3	78H22
4	CAGE-VALVE . . . . .	3	200VWF054

For Optional Valve Seat Puller refer to page 23.

Order by Part Number and Description. Reference Numbers are for your convenience only.



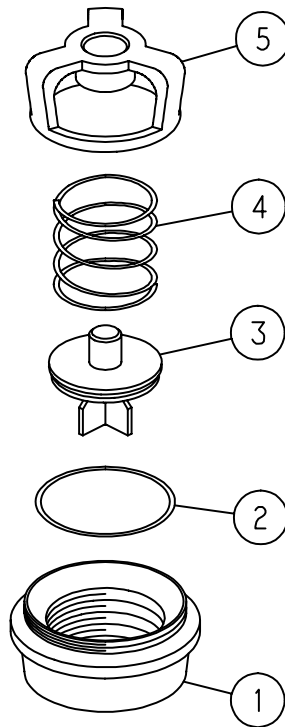
B74874

**STEM GUIDED VALVE – WITHOUT INSERT  
HIGH PRESSURE BLOCK ALUMINUM BRONZE FLUID CYLINDER**

Ref. No.	Name of Part	Qty.	Bronze Part No.	Steel Part No.
<b>SUCTION</b>				
	FLUID VALVE GROUP, Includes Reference Numbers 1 thru 4 .....	3	208VSA482A	210VSA482A
1	SEAT .....	3	200VSG039	201VSA039
2	VALVE .....	3	TA369	1TA369
3	SPRING .....	3	78H32	78H32
4	CAGE .....	3	200VSA054	201VSA054
<b>DISCHARGE</b>				
	FLUID VALVE GROUP, Includes Reference Numbers 1 thru 4 .....	3	208VWC482A	210VWC482A
1	SEAT .....	3	200VWC039	201VWC039
2	VALVE .....	3	3PG206	6PG206
3	SPRING .....	3	78H24	78H22
4	CAGE .....	3	200VWC054	201VWC054

For Optional Valve Seat Puller refer to page 23.

Order by Part Number and Description. Reference Numbers are for your convenience only.



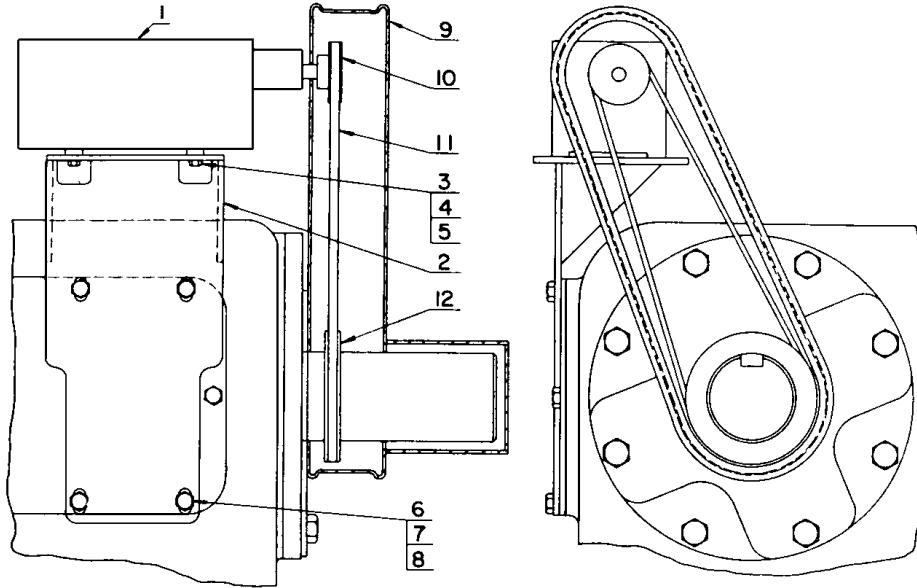
300TQW810-A  
(Ref. Drawing)

**WING GUIDED VALVE – STAINLESS STEEL SEVERE DUTY – WITHOUT INSERT  
HIGH PRESSURE BLOCK ALUMINUM BRONZE FLUID CYLINDER**

Ref. No.	Name of Part	Qty.	Part No.
<b>SUCTION</b>			
	FLUID VALVE GROUP, Includes Reference Numbers 1 thru 5 .....	3	202TQW482
1	SEAT .....	3	2116856
2	O-RING .....	3	2116857
3	VALVE .....	3	2116858
4	SPRING .....	3	2116432
5	CAGE .....	3	2116433
<b>DISCHARGE</b>			
	FLUID VALVE GROUP, Includes Reference Numbers 1 thru 5 .....	3	203TQW482
1	SEAT .....	3	2116430
2	O-RING .....	3	2116857
3	VALVE .....	3	2116858
4	SPRING .....	3	2116432
5	CAGE .....	3	2116433

For Optional Valve Seat Puller refer to page 23.

Order by Part Number and Description. Reference Numbers are for your convenience only.



**LUBRICATOR & DRIVE ASSEMBLY  
(OPTIONAL EQUIPMENT)**

Ref. No.	Name of Part	Qty.	Units with 838 Style Packing Part No.	Units with 242 Style Packing Part No.
	LUBRICATOR ASSEMBLY, Incl. the Following Items .	1	200TQW4012	201TQW4012
1	LUBRICATOR .....	1	40G100	40G100
2	BRACKET-LUBRICATOR .....	1	200TQW403	200TQW403
3	SCREW, Lubricator to Bracket .....	4	75A10	75A10
4	WASHER, Lubricator to Bracket .....	4	95A2	95A2
5	LOCKWASHER, Lubricator to Bracket .....	4	95B2	95B2
6	SCREW, Lubricator to Frame .....	4	655ED050	655ED050
7	WASHER, Lubricator to Frame .....	4	95A3	95A3
9	GUARD, Belt .....	1	200TQW240	200TQW240
10	SHEAVE, Lubricator .....	1	73A628	73A628
11	BELT .....	1	13C15	13C15
12	SHEAVE ASSEMBLY .....	1	200TQW195	200TQW195
*	SCREW, Guard to Pump .....	6	655EF070	655EF070
*	WASHER, Guard to Pump .....	6	95U7	95U7
*	TUBE, Lubricator to Stuffing Box .....	144"	85D4A	85D4A
*	VALVE-CHECK .....	3	90AR373	----
*	ELBOW-TUBE .....	6	86A25	----
*	NIPPLE .....	3	63C4	----
*	COUPLING-PIPE .....	3	64BK1	----
*	NIPPLE .....	3	63H5	63H5
*	ADAPTOR .....	1	----	200TQW170
*	PIPE TEE .....	1	----	64G2
*	TUBE CONNECTOR .....	1	----	86A1
*	ELBOW .....	1	----	86A25
*	INSPECTION PLATE .....	1	202TQW052	202TQW052

\* Not shown.

**OPTIONAL EQUIPMENT**

**VALVE SEAT PULLER – DELRIN DISC TYPE – LOW PRESSURE CAST ALUMINUM BRONZE,  
CAST NODULAR IRON & BLOCK STEEL FLUID CYLINDERS**

<b>Name of Part</b>	<b>Qty.</b>	<b>Part No.</b>
PULLER GROUP, Includes All Items .....	1	TQW75904
PLATE–PULLER .....	1	202TQC340
WASHER .....	1	200TAE244
WEDGE .....	1	200TAE091
ROD .....	1	200TEE193
NUT .....	1	200TAE086
WASHER .....	1	95U14
TAG–INSTRUCTION .....	1	201TAE304

**VALVE SEAT PULLER – DELRIN DISC TYPE  
HIGH PRESSURE BLOCK ALUMINUM BRONZE CYLINDER**

<b>Name of Part</b>	<b>Qty.</b>	<b>Part No.</b>
PULLER GROUP, Includes All Items .....	1	TQW75900
PLATE–PULLER .....	1	200TQC340
WASHER .....	1	200TAE244
WEDGE .....	1	200TAE091
ROD .....	1	200TEE193
NUT .....	1	200TAE086
WASHER .....	1	95U14
TAG–INSTRUCTION .....	1	201TAE304

**VALVE SEAT PULLER – WING GUIDED TYPE AND SEVERE DUTY (AR) TYPE  
LOW PRESSURE CAST ALUMINUM BRONZE & NODULAR IRON FLUID CYLINDERS**

<b>Name of Part</b>	<b>Qty.</b>	<b>Part No.</b>
PULLER GROUP, Includes All Items .....	1	TQB76034
PLATE–PULLER .....	1	202TQC340
WASHER .....	1	200TAE244
WEDGE .....	1	200TAE091
ROD .....	1	200TAE193
NUT .....	1	200TAE086
WASHER .....	1	95U14
TAG–INSTRUCTION .....	1	201TAE304
SURGE CHAMBER ASSEMBLY (Includes next 2 Items) .....	1	1PG44A
ELBOW .....	1	64C14
NIPPLE .....	2	63M2

**OPTIONAL EQUIPMENT (Continued)**

**VALVE SEAT PULLER – WING GUIDED TYPE AND SEVERE DUTY (AR) TYPE  
HIGH PRESSURE BLOCK ALUMINUM BRONZE FLUID CYLINDER**

<b>Name of Part</b>	<b>Qty.</b>	<b>Part No.</b>
PULLER GROUP, Includes All Items .....	1	TQC75902
PLATE–PULLER .....	1	200TQC340
WASHER .....	1	200TAE244
WEDGE .....	1	200TAE091
ROD .....	1	200TAE193
ROD .....	1	200TEE193
NUT .....	1	200TAE086
WASHER .....	1	95U14
TAG–INSTRUCTION .....	1	201TAE304
SURGE CHAMBER ASSEMBLY (Includes next 2 Items) .....	1	1PG44A
ELBOW .....	1	64C14
NIPPLE .....	2	63M2
BUSHING–PIPE .....	1	64E33



## GARDNER DENVER UNIT RECORD

The following unit identification plate is provided as a convenience to you, our valued Gardner Denver customer. Please take the time to copy all the information from the actual nameplate of your unit. The model number, date manufactured and serial number will be required when contacting the company or your distributor for information or replacement parts.

DANGER-READ INSTRUCTION MANUAL BEFORE MOVING OR OPERATING UNIT						
MODEL	<input style="width: 90%;" type="text"/>	DATE MFG	<input style="width: 90%;" type="text"/>	SERIAL NO.	<input style="width: 95%;" type="text"/>	
ID NO.	<input style="width: 90%;" type="text"/>	MAX TEMP	<input style="width: 90%;" type="text"/>	C/CASE OIL CAP. GAL	<input style="width: 95%;" type="text"/>	
SERVICE	RATED MAX INPUT BHP	RATED MAX INPUT RPM	RATED MAX PUMP RPM	DISCHARGE MAX PSI W.P. OF FLUID CYL.	SUCTION MAX PSI W.P. OF FLUID CYL.	MAX INPUT RPM AT MAX PRESSURE
CONTINUOUS	<input style="width: 90%;" type="text"/>	<input style="width: 90%;" type="text"/>	<input style="width: 90%;" type="text"/>	<input style="width: 90%;" type="text"/>	<input style="width: 90%;" type="text"/>	<input style="width: 90%;" type="text"/>
INTERMITTENT	<input style="width: 90%;" type="text"/>	<input style="width: 90%;" type="text"/>	<input style="width: 90%;" type="text"/>	<input style="width: 90%;" type="text"/>	<input style="width: 90%;" type="text"/>	<input style="width: 90%;" type="text"/>
DISPLACEMENT & PRESSURE AT RATED RPM, SEE O-M MANUAL FOR ADDITIONAL SPECIFICATIONS						
SIZE	<input style="width: 90%;" type="text"/>	<input style="width: 90%;" type="text"/>	<input style="width: 90%;" type="text"/>	<input style="width: 90%;" type="text"/>	<input style="width: 90%;" type="text"/>	<input style="width: 90%;" type="text"/>
GPM	<input style="width: 90%;" type="text"/>	<input style="width: 90%;" type="text"/>	<input style="width: 90%;" type="text"/>	<input style="width: 90%;" type="text"/>	<input style="width: 90%;" type="text"/>	<input style="width: 90%;" type="text"/>
PSI	<input style="width: 90%;" type="text"/>	<input style="width: 90%;" type="text"/>	<input style="width: 90%;" type="text"/>	<input style="width: 90%;" type="text"/>	<input style="width: 90%;" type="text"/>	<input style="width: 90%;" type="text"/>
INTERMITTENT DUTY MAXIMUM PRESSURE, SEE O-M MANUAL FOR ADDITIONAL SPECIFICATIONS						
PSI	<input style="width: 90%;" type="text"/>	<input style="width: 90%;" type="text"/>	<input style="width: 90%;" type="text"/>	<input style="width: 90%;" type="text"/>	<input style="width: 90%;" type="text"/>	<input style="width: 90%;" type="text"/>
<b>Gardner Denver</b>				PURCHASER ID NO.		<input style="width: 95%;" type="text"/>
2000PA496		Gardner Denver Machinery Inc. Quincy, Illinois			MADE IN USA	
GIVE MODEL, ID NO. AND SERIAL NO. WHEN ORDERING REPAIR PARTS OR SERVICE						

**2000PA496  
(Ref. Drawing)**

北京

信德迈科技(北京)有限公司CNMEC Technology  
北京朝阳区胜古中路2号金基业大厦201室  
邮编：100029  
电话：010-8428 2935 13910962635  
传真：010-8428 8762  
主页：[//www.cnmec.biz](http://www.cnmec.biz)  
电子邮件：[sales@cnmec.biz](mailto:sales@cnmec.biz)

西安

西安嘉岳自动化技术有限公司Garye Automation  
地址：西安经开区凤城二路天地时代广场B座23层22312室  
邮编：710016  
电话：029 - 8610 8648 15319759129  
传真：029 - 8610 6806  
主页：<http://www.garye.cn>  
电子邮件：[sales@garye.cn](mailto:sales@garye.cn)

**Gardner**  
**Denver**

For additional information contact your local representative or  
Gardner Denver Machinery Inc., Customer Service Department,  
1800 Gardner Expressway, Quincy, Illinois 62301  
Telephone: (800) 682-9868 FAX: (217) 224-7814



Sales and Service in all major cities.

For parts information, contact Gardner Denver,  
Master Distribution Center, Memphis, TN  
Telephone: (800) 245-4946 FAX: (901) 542-6159

Specifications subject to change without notice.  
Copyright 1998 Gardner Denver Machinery Inc.

Litho in U.S.A.